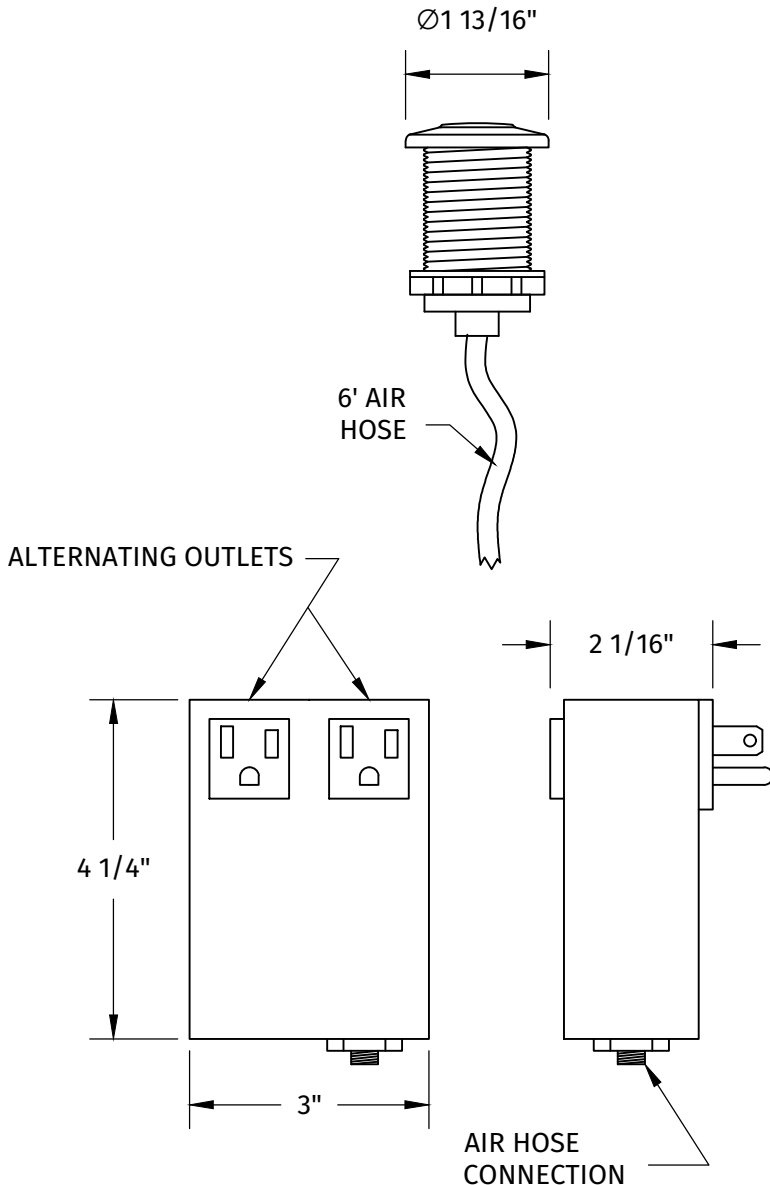


# MT951

## ROUND "CLASSIC TOUCH" WASTE DISPOSER AIR SWITCH

### SPECIFICATION SHEET



- REQUIRES  $\varnothing 1 \frac{3}{8}$ " MOUNTING HOLE
- WILL FIT UP TO  $1 \frac{1}{2}$ " THICK DECK (FOR THICKER DECKS, THE BUTTON CAN BE INSTALLED WITHOUT THE MOUNTING NUT BY APPLYING 100% SILICONE BENEATH THE FLANGE)
- UL LISTED
- AIR ACTUATED
- BOX MOUNTING HARDWARE NOT INCLUDED

#### WARRANTY

FOR WARRANTY INFO PLEASE VISIT [WWW.MOUNTAINPLUMBING.COM/PAGE/RESOURCES/WARRANTY](http://WWW.MOUNTAINPLUMBING.COM/PAGE/RESOURCES/WARRANTY)

#### FINISH CARE & MAINTENANCE

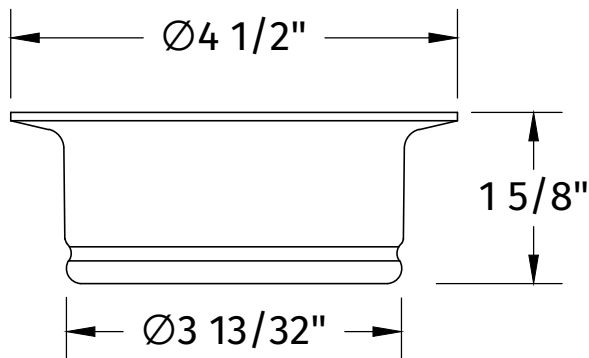
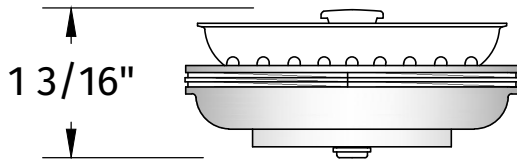
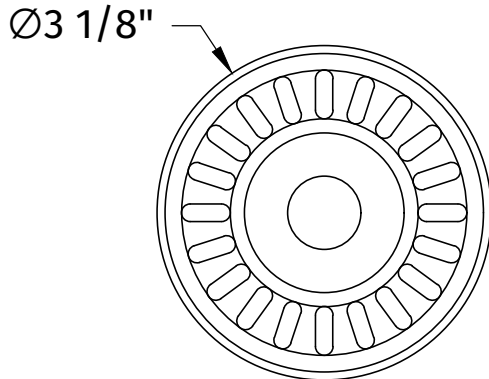
NEVER USE ANY HARSH ALKALI, ACID BASED DETERGENTS OR CLEANERS SUCH AS SOFT SCRUB®, SCRUBBING BUBBLES® OR COMET® TO CLEAN. DO NOT USE BRILLO® AND SCOTCH BRITE® PADS. THESE WILL ALL HARM THE FINISH. TO CLEAN, USE ONLY A DAMP SOFT CLOTH AND WIPE USING A SOFT CLOTH. STANDARD WINDEX® CAN ALSO BE USED SPARINGLY. IT IS NOT NECESSARY TO WIPE HARD TO REMOVE SPOTS. TO MAINTAIN THE FINISH, WIPE WITH A SOFT DRY CLOTH AFTER USE. AN OCCASIONAL COAT OF PURE CARNAUBA WAX WITHOUT CLEANERS WILL HELP PROTECT THE FINISH.

SPECIFICATIONS SUBJECT TO CHANGE WITHOUT NOTICE

# MT200EV

## WASTE DISPOSER TRIM WITH STOPPER / STRAINER

### SPECIFICATION SHEET



- INTENDED FOR CONTINUOUS FEED 3-BOLT MOUNT DISPOSERS WITH 3 3/8" I.D.
- WILL FIT A SINK UP TO 5/8" THICK
- COMPATIBLE WITH THE FOLLOWING DISPOSERS:
  - MOUNTAIN PLUMBING PERFECT GRIND® 3-BOLT MOUNT
  - INSINKERATOR (ISE) OLD & NEW MODELS
  - FRANKE 3-BOLT MOUNT
  - KENMORE
  - WHIRLPOOL
  - KITCHENAID
  - MOEN

#### WARRANTY

FOR WARRANTY INFO PLEASE VISIT [WWW.MOUNTAINPLUMBING.COM/PAGE/RESOURCES/WARRANTY](http://WWW.MOUNTAINPLUMBING.COM/PAGE/RESOURCES/WARRANTY)

#### FINISH CARE & MAINTENANCE

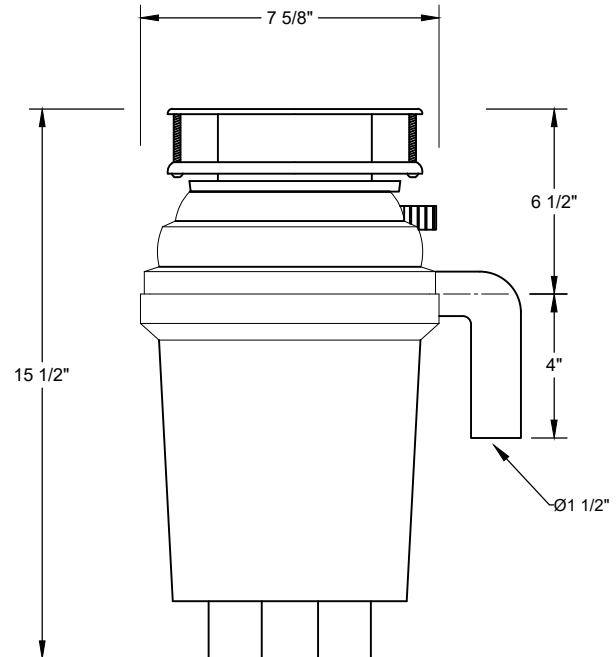
NEVER USE ANY HARSH ALKALI, ACID BASED DETERGENTS OR CLEANERS SUCH AS SOFT SCRUB®, SCRUBBING BUBBLES® OR COMET® TO CLEAN. DO NOT USE BRILLO® AND SCOTCH BRITE® PADS. THESE WILL ALL HARM THE FINISH. TO CLEAN, USE ONLY A DAMP SOFT CLOTH AND WIPE USING A SOFT CLOTH. STANDARD WINDEX® CAN ALSO BE USED SPARINGLY. IT IS NOT NECESSARY TO WIPE HARD TO REMOVE SPOTS. TO MAINTAIN THE FINISH, WIPE WITH A SOFT DRY CLOTH AFTER USE. AN OCCASIONAL COAT OF PURE CARNAUBA WAX WITHOUT CLEANERS WILL HELP PROTECT THE FINISH.

SPECIFICATIONS SUBJECT TO CHANGE WITHOUT NOTICE

# MT666-3CFWD3B

## PERFECT GRIND®

CONTINUOUS FEED 3/4 HP  
FOOD WASTE DISPOSER



This model offers the following features:

- Permanent Magnet High RPM Means High Torque and Less Jams
- Bio-guard Antimicrobial Protection
- Removable Splash Guard
- Stainless Steel Turntable and Grind Rings (Compared to Competitor's Cold-Rolled or Galvanized Steel)
- Factory Installed Power Cord with Plug
- Safe for Properly Sized Septic Tanks
- 3-Bolt Mounting System

### WARRANTY

THE 3/4 HP MOUNTAIN PERFECT GRIND WASTE DISPOSER COMES WITH A 10 YEAR LIMITED REPLACEMENT WARRANTY.



### SPECIFICATIONS

HP	3/4
Motor Type	Permanent Magnet
Feed	Continuous
Volts	110V
Frequency	50/60Hz
Motor Speed	2500RPM
Hopper Capacity	29oz
Balance Level	G0.4
Turntable	Stainless Steel
Grind Rings	Stainless Steel
Sink Flange	Stainless Steel
Basket Strainer	Stainless Steel
Drain Elbow	ABS
Bearings	Permanently Lubricated, Sleeve Type
Manual Reset Protector	Protection for Overload and Temp.
Shipping Weight	13.5lbs
Pallet Quantity	64pcs